



# SSD VA 120



## RESIDENTIAL WALL SWITCH DECORATOR SENSOR 120 VAC • VACANCY (MANUAL ON) • PASSIVE INFRARED (PIR)

### SPECIFICATIONS

#### FEATURES

- Manual On
- Manual Off or Auto Off
- PIR Occupancy Detection
- No Minimum Load Required
- Switches Incandescent, CFL, LED, and Electronic & Magnetic Fluorescent Lighting
- Interchangeable Hot & Load Wires - Impossible to Wire Backwards
- No Neutral Connection Required
- Small Motion Detection to 20 ft (6.10 m)
- Self-Grounding Mounting Strap
- Push-Button Time Delay Programming w/o Removing the Switch Plate
- Adjustable Time Delay Setting (30 sec - 20 min)
- Non-Volatile Settings Memory
- Green LED Indicator

#### PHYSICAL SPECS

- SIZE 4.2"H x 1.8"W x 1.5"D (10.67cm x 4.57cm x 3.81cm)
- WEIGHT 5 oz
- MOUNTING Single Gang Switch Box
- MOUNTING HEIGHT 30-48 in (76.2-121.9 cm)
- COLORS White, Ivory

#### ELECTRICAL SPECS

- MAXIMUM LOAD 800 W @ 120 VAC
- MINIMUM LOAD None
- MOTOR LOAD 1/4 HP
- FREQUENCY 60 Hz

#### ENVIRONMENTAL SPECS

- OPERATING TEMP 14° to 160° F (-10° to 71° C)
- RELATIVE HUMIDITY 20 to 90% non-condensing
- SILICONE FREE



**TITLE 24  
ASSEMBLED in U.S.A.  
5 YEAR WARRANTY**

#### OVERVIEW

The **SSD VA 120** Series is a residential grade wall switch vacancy (manual on) sensor that utilizes Passive Infrared detection. Compliant with California Title 24 Residential Lighting Standards, the **SSD VA 120** turns connected lights on when a user presses the push-button. Lights can be manually turned off by pressing the button again, or they will be automatically turned off once the vacancy time delay expires. Wiring the sensor is simple as the line and load wires are interchangeable, making it impossible to connect backwards. Additionally, unlike other residential grade wall switch sensors, the **SSD VA 120** does not require a neutral connection, nor is there a minimum load requirement.

#### COMMON RESIDENTIAL APPLICATIONS

Bedrooms	Bathrooms	Basements
Utility/Laundry Rooms	Dining Rooms	Garages
Kitchens	Living/Family Rooms	Closets

#### SENSOR OPERATION

When the push-button is pressed, a self-contained relay switches the connected lighting load on. The sensor is line powered and switches line voltage (see specifications). Once on, the sensor detects changes in the infrared energy given off by occupants as they move within the field-of-view. A timer, factory set at 10 min, keeps the lights on during brief periods of inactivity. This timer is push-button programmable in 2.5 min increments up to 20 minutes, and resets every time occupancy is re-detected. A 30 sec setting is also provided for initial testing. Once the timer expires the lights are automatically turned off. For convenience, during the first 15 sec after lights are turned off, the sensor can automatically switch them back on if it detects motion. The LED indicator blinks every time occupancy is detected by the sensor.

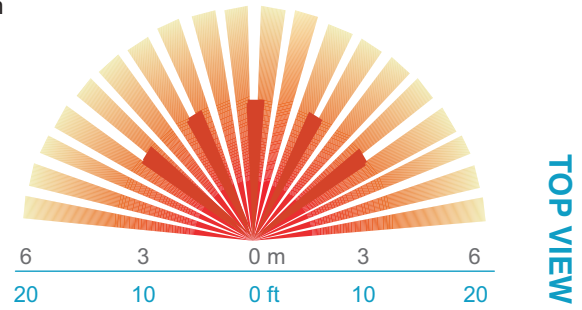
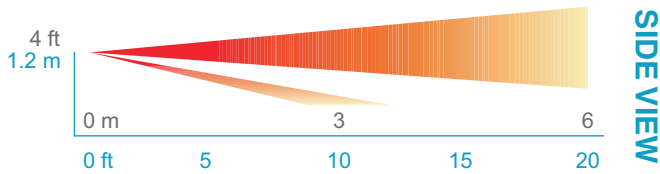
### ORDERING INFO

CATALOG NUMBER	DESCRIPTION
SSD VA 120 WH	Residential Grade Wall Switch Vacancy (Manual On) Sensor, PIR, 120 VAC, White*
SSD VA 120 IV	Residential Grade Wall Switch Vacancy (Manual On) Sensor, PIR, 120 VAC, Ivory*

\*Wall plate not included

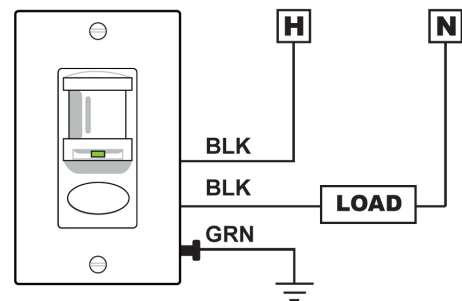
## COVERAGE PATTERN

- Small motion (e.g. hand movements) detection up to 20 ft (6.10 m)
- Large motion (e.g. walking) detection up to 50 ft (15.24 m)
- Wall-to-Wall coverage
- Obstructions that block the sensor's line of site will prevent detection
- Sensor will not see through glass



## WIRING (DO NOT WIRE HOT)

- BLACK\* - Line Input } \*BLACK wires can be reversed  
 BLACK\* - Load Output }  
 GREEN SCREW - Ground (required connection)



**Note:** Connection to Ground required for sensor to function

## PROGRAMMING INSTRUCTIONS

1. Enter programming mode by pressing & holding button until LED flashes rapidly. Release button.
2. Enter the *Time Delay* function by pressing button twice.
3. The current *Time Delay* setting will then be fed out in a sequence of LED flashes as indicated in the table below (e.g., five flashes for 10 min). To change the setting, proceed to step 4 before sequence repeats 10 times.
4. At any time while the switch is flashing back the current *Time Delay* setting, interrupt it by pressing button the number of times for the new desired *Time Delay* setting as indicated in the table below (e.g., press twice for 2.5 min). Switch will begin to flash back new setting as confirmation.
5. Next, while the switch is flashing back new setting, interrupt it by pressing and holding button until LED flashes rapidly. Release button.
6. As final confirmation and activation of the new setting, press button two times.
7. LED will flash twice indicating acceptance of new setting. If two flashes are not seen, repeat 7 step process.

Note: To exit programming mode without saving, wait for blink back sequence to repeat 10 times then return to step 1.

Function Number	Function Name	Settings (*indicates default setting)		
2	Time Delay	1 - 30 sec	4 - 7.5 min	7 - 15 min
		2 - 2.5 min	5 - 10 min*	8 - 17.5 min
		3 - 5 min	6 - 12.5 min	9 - 20 min



**WARRANTY:** Sensor Switch, Inc. warrants these products to be free of defects in manufacture and workmanship for a period of 60 months. Sensor Switch, Inc., upon prompt notice of such defect, will, at its option, provide a Returned Material Authorization number and repair or replace returned product.  
**LIMITATIONS AND EXCLUSIONS:** This Warranty is in full lieu of all other representation and expressed and implied warranties (including the implied warranties of merchantability and fitness for use) and under no circumstances shall Sensor Switch, Inc. be liable for any incidental or consequential property damages or losses.

An AcuityBrands Company

TS-SSD-001A